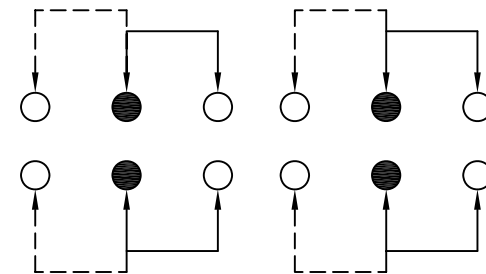
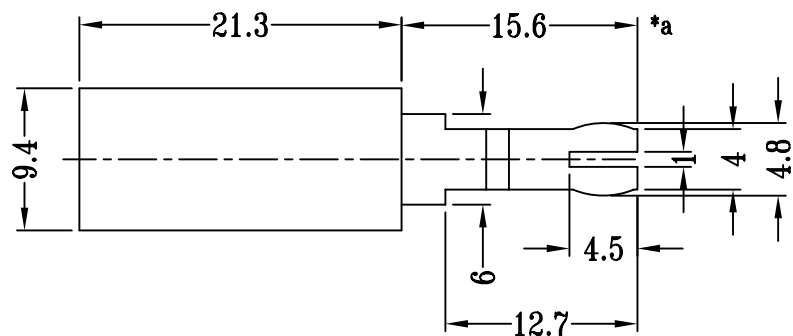
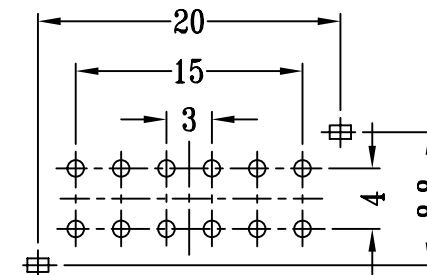
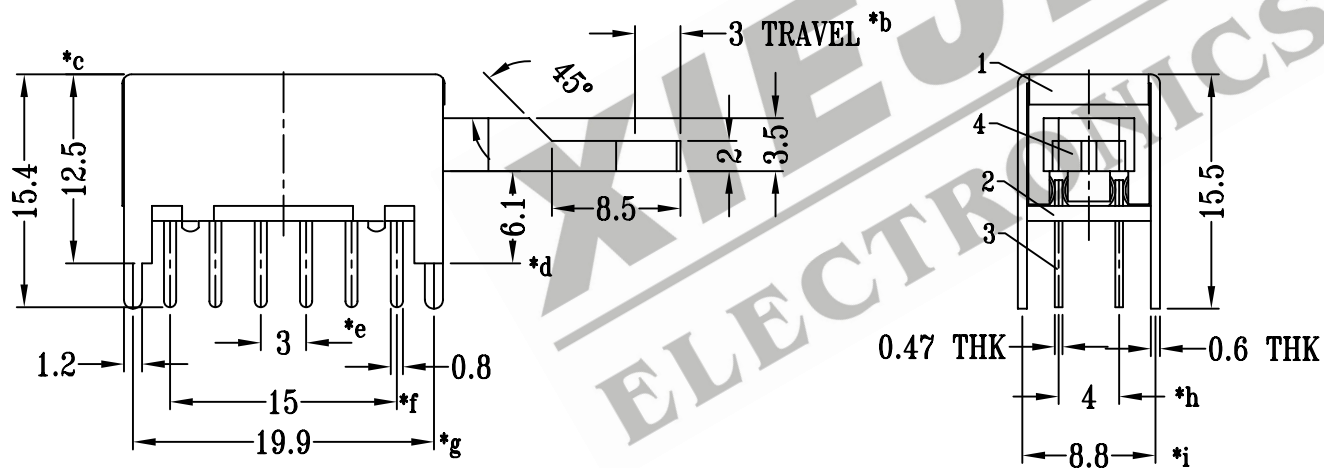


CAD FILE:



SCHEMATIC (NON-SHORTING)



P.C.B LAYOUT

注:带"*"表示关键尺寸(9个)

NO.	PARTS	MATERIALS	Q'TY	FINISH	TOLERANCE UNLESS SPECIFIED	SHENZHEN XIEJIA ELECTRONICS CO.,LTD.				
8										
7										
6	SPRING	STEEL WIRE	1	TEMPER	WITHIN: 1.5±0.1mm OVER: 1.5±0.2mm	ISSUE	DATE	DESCRIPTIONS OF REVISION		APPD.
5	CONTACT CLIP	PBS STRIP	4	Ag PLATED						
4	KNOB	ABS	1	BLACK	TITLE : PUSH SWITCH	UNIT : mm	DRWG NO.: XJ-DR-PS42F21-00			
3	TERMINAL	BRASS STRIP	12	Ag PLATED OVER Ni PLATED	MODEL: PS-42F21	SCALE: 2:1	DWN.	ZHOUYU	2005-3-5	
2	BASE	PHENOLIC RESIN	1	NATURAL			CHK'D	FANGYING	2005-3-5	
1	FRAME	STEEL STRIP	1	Ni PLATED	ALL MATERIALS MUST BE COMPLIANT TO ROHS		APPD.	KANGXINAN	2005-3-5	